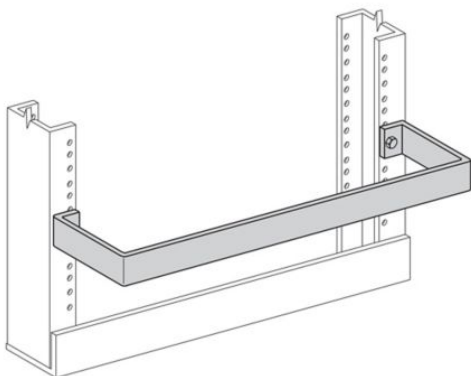


Eaton SB58901AAL

Catalog Number: SB58901AAL

Eaton B-Line series open frame racks, Aluminum, 3/8"-16 mounting hardware, (2) RMUs of mounting space, Aluminum - brushed, Two-post network equipment rack guard rail

General specifications



Product Name	Eaton B-Line series open frame racks	Catalog Number	SB58901AAL
UPC	799038029731	Product Length/Depth	4.25 in
Product Height	2 in	Product Width	19 in
Product Weight	1.5 lb	Certifications	Not Applicable

Product specifications

Special features

(2) RMUs of mounting space

Model

Two-post network equipment rack guard rail

Material

Aluminum

Finish

Brushed aluminum

Resources

Brochures

[RCM and RCM+ brochure](#)

Specifications and datasheets

[Eaton Specification Sheet - SB58901AAL](#)



Eaton Corporation plc
Eaton House
30 Pembroke Road
Dublin 4, Ireland
Eaton.com
© 2023 Eaton. All Rights Reserved.

Eaton is a registered trademark.

All other trademarks are property of their respective owners.



[Eaton.com/socialmedia](https://www.eaton.com/socialmedia)